

Document Management Controls

Compass Enterprise integrates with Microsoft SharePoint which provides a rich and secure document collaboration environment within your organisation.

Microsoft Windows SharePoint Services is a versatile technology that organisations of all sizes can use to increase business process efficiency and productivity by managing documents in a secure, accessible environment. By utilising SharePoint's role based security, information is only visible and accessible at the authorised group level.

Compass Enterprise expands the SharePoint Services by providing the tools to reference documents to a location, enabling them to be spatially searched.

Compass Enterprise / SharePoint features include:

- Check-in and check-out
- Versioning
 - Get version
 - Restore
- Document library security

Compass Enterprise supports existing SharePoint implementations.

Spatial Databases

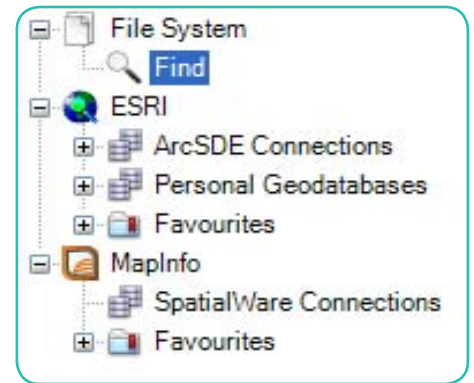
Compass Enterprise supports corporate spatial databases within the MapInfo and ESRI environments such as SpatialWare, ArcSDE and a Personal Geodatabase.

Spatial database layers can be catalogued, spatially searched, previewed and then delivered into the target application.

Pack 'n' Go

The Pack 'n' Go function has been modified to include the new SharePoint and spatial database integration.

Documents from SharePoint will be written to a local file. Tables within SpatialWare will be written to a native TAB file, while ArcSDE layers are written to Personal Geodatabase(s). Catalogued MXD files will be re-pathed to a local Personal Geodatabase(s).

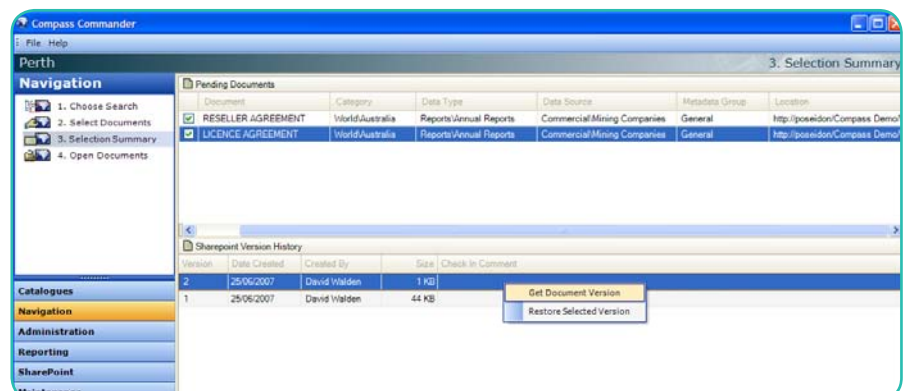


Metadata

Metadata is information about data, describing the what, when, who and how of data. Spatial metadata incorporates additional information about the where component of data.

Compass Enterprise has been designed to support implementations of the comprehensive metadata standards related to ISO, such as ANZLIC. It provides the tools to capture information content with conditionality, obligation (mandatory/conditional/optional), and repeatability.

Compass Enterprise ships with compatible ISO 19115 and ANZLIC core metadata templates.



Extended File Format Support

The preview capabilities within Compass Enterprise have been extended by seamlessly loading the appropriate mapping control, depending on the format.

This has extended the number of supported file formats to well in excess of 150.

GIS Formats

- AutoCAD (*.dxf, *.dwg, *.dwf)
- ESRI Shape (*.shp)
- Bentley MicroStation (*.dgn)
- ER Mapper (*.alg)
- ER Mapper Image Web Server
- ER Mapper (*.ecw)
- MapInfo (*.tab)
- MapInfo Interchange format (*.mif)
- US Census Bureau TIGER/Line 95 (*.bw1)
- USGS Digital Elevation Model (1 degree) (*.dem)
- Digital Chart of the World (*.dcw)
- Scalable Vector Graphics (*.svg, *.svgz)

Plus many more...

Using an Installed ESRI Instance

- ArcGIS Layer files and ArcGIS MXD files
- ArcSDE
- Personal Geodatabase

Using an Installed MapInfo Instance

- SpatialWare

Raster Formats

- ECW - ER Mapper (*.ecw)
- SID - LizardTech MrSID format
- GIF (*.gif)
- JPEG (*.jpg)
- TIFF (*.tif;*.tiff)
- GeoTIFF (*.tif;*.tiff + .tfw)
- BMP (8.bmp)
- PNG Bitmap 24-bit (*.png)
- PNG Bitmap 256-colour (*.png)
- ARC/INFO ASCII GRID
- ARC/INFO Binary Grid
- Erdas Imagine

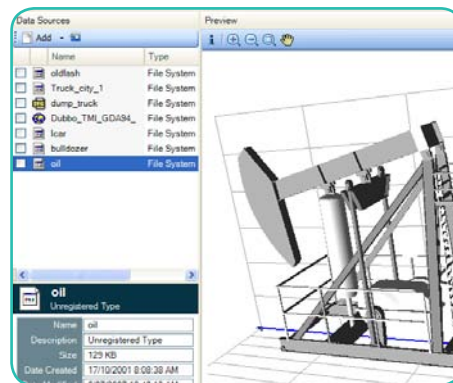
Plus many more...

Encom Mapping Control

The newly embedded Encom mapping engine broadens the previewing functionality and supports numerous 3D and geoscience file formats.

Example file formats include:

- 3D DXF
- 3D DGN
- 3ds
- Vulcan
- Gemcom
- Surpac
- ER Mapper
- Geosoft
- Micromine
- GOCAD
- Encom ModelVision



Reporting

The reporting in Compass Enterprise has been upgraded to use the Crystal Reports engine and includes an export option to the Crystal Reports format.

Compatibility with Crystal Reports enables easy delivery of rich, interactive content that can be customised to suit specific needs. Crystal Reports gives users the power to select their preferred font type, size, and text colour and enhance the layout by applying lines, borders, and shading.



